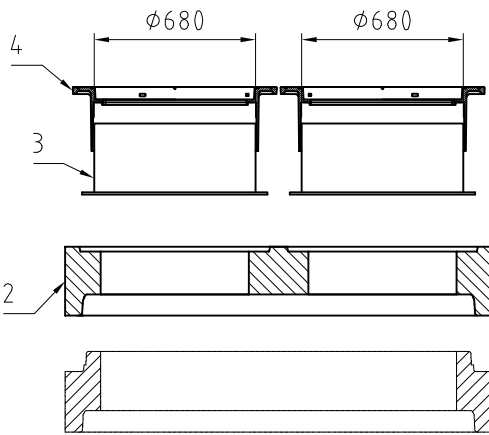
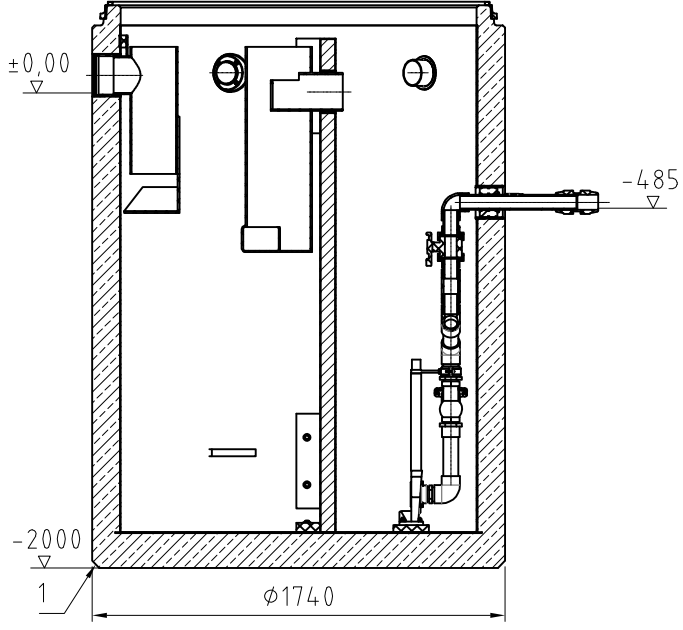


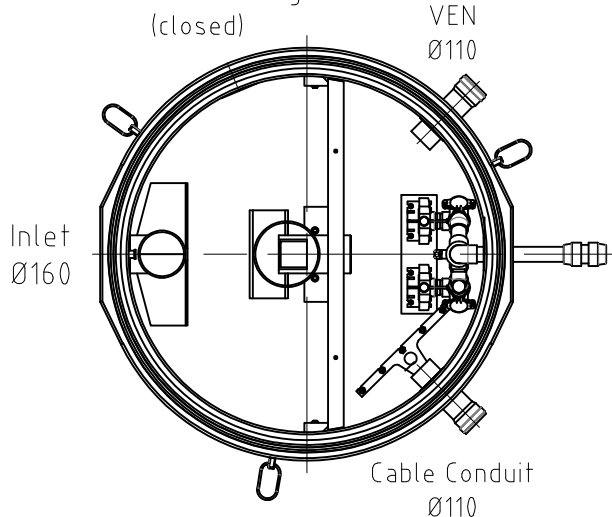
930-1005
 max. 5385



optional
 shaft parts Ø1500



optional:
 Directexhausting
 (closed)



position	article no.
1	723254
2	727781
3	418101
4	1204654

all dimensions are in mm

Lipulift-C 5,5/ 1100



Date	Name	Article- Numbers:	Index
Drawn 13.12.2019	tfenzel	Lipulift-C 5,5/ 1100	001
Upd.		723254_2	